

# Inground Basketball System

## S022 Instruction Manual



### SAFETY INSTRUCTIONS



Owner must ensure that all players know and follow these rules for safe operation of the system.

To ensure safety, do not attempt to assemble this system without following the instructions carefully. Check entire box and inside all packing material for parts and/or additional instruction material. Before beginning assembly, read the instructions and identify parts using the hardware identifier and parts list in this document. Proper and complete assembly, use, and supervision are essential for proper operation and to reduce the risk of accident or injury. A high probability of serious injury exists if this system is not installed, maintained, and operated properly.

- If using a ladder during assembly, use extreme caution.
- Two (2) capable adults are recommended for this operation.
- Climate, corrosion, or misuse could result in system failure.
- Minimum operational height is 6' 6" (1.98 m) to the bottom of backboard.
- Read and understand the warning label affixed to pole.
- The life of your basketball pole depends on many conditions. The climate, placement of the pole, location of the pole, exposure to corrosives such as pesticides, herbicides, or salts are all important.
- Adult supervision is recommended when adjusting height.



### WARNING

Read and understand warnings listed below before using this product.

Failure to follow these warnings may result in serious injury and/or property damage.

Owner must ensure that all players know and follow these rules for safe operation of the system.

- DO NOT HANG on the rim or any part of the system including backboard, support braces or net.
- During play, especially when performing dunk type activities, keep player's face away from the backboard, rim and net. Serious injury could occur if teeth/face come in contact with backboard, rim or net.
- When adjusting height or moving system, keep hands and fingers away from moving parts.
- Do not allow children to move or adjust system.
- During play, do not wear jewelry (rings, watches, necklaces, etc.). Objects may entangle in net.
- Check pole system for signs of corrosion (rust, pitting, chipping) and repaint with exterior enamel paint. If rust has penetrated through the steel anywhere, replace pole immediately.
- Check system before each use for proper ballast, loose hardware, excessive wear and signs of corrosion and repair before use.
- Check system before each use for instability.

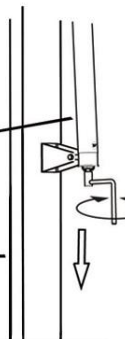
### HEIGHT ADJUSTMENT

Backboard and rim height adjustment is from 7'-1/2' to 10'.

Rotate crank handle to raise and lower backboard

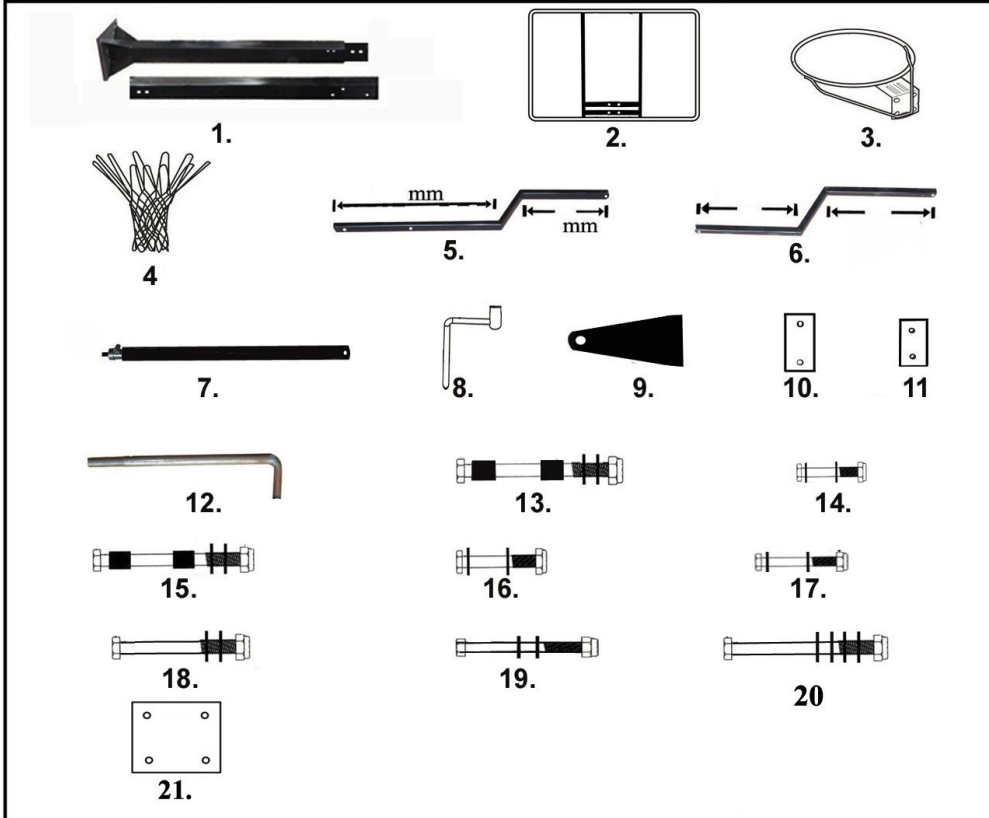
7.

1.



**PARTS LIST**

<i>Item</i>	<i>Qty.</i>	<i>Description</i>	<i>Item</i>	<i>Qty.</i>	<i>Description</i>
1	2	Main Pole	13	1	Bolt, M12 X 160mm
2	1	Backboard	14	4	Bolt, M10 X 40mm
3	1	Rim	15	1	Bolt, M12 X 160mm
4	1	Net	16	4	Bolt, M12 X 60mm
5	2	Lower Elevator Tube	17	1	Bolt, M8 X 70mm
6	2	Upper Elevator Tube	18	2	Bolt, M10 X 120mm
7	1	Screw-Jack Assembly	19	2	Bolt, M8 X 130mm
8	1	Crank Handle	20	2	Bolt, M12 X 160mm
9	1	Pole Mount Bracket	21	1	Inground plate
10	1	Reinforcement Plate			
11	1	Reinforcement Plate			
12	4	Ground Bolt			

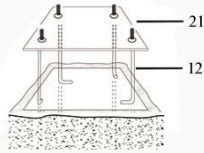


① STEP A :Dig a hole at least 60cm deep and 50×50cm square

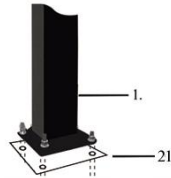
Build a form before pouring the concrete pad , to ensure the concrete straight and square.

Fill hole with concrete up to play surface and push the ground bolt (12) and inground plate(21) into concrete as shown

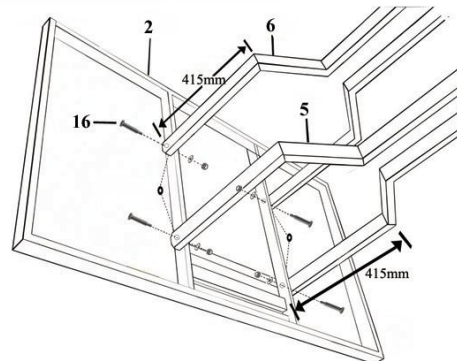
Wait 3 days for concrete to cure before proceeding.



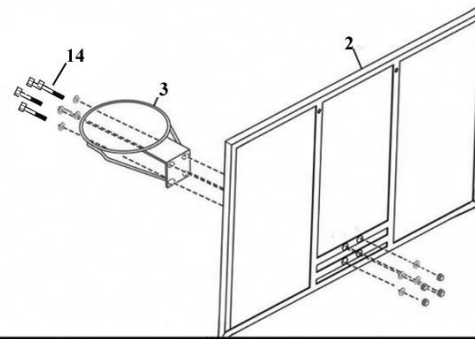
STEP B:fix bottom pole (1) on the inground plate(21)as shown



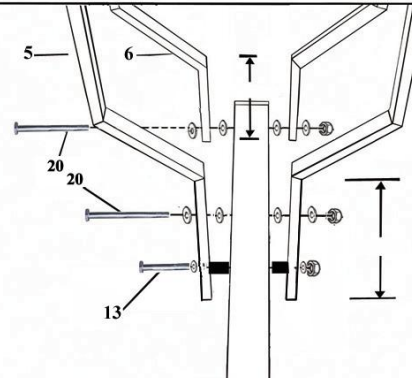
③ Attach lower elevator tube (5) and upper elevator tube (6) on backboard (2) by bolt (16) as shown.



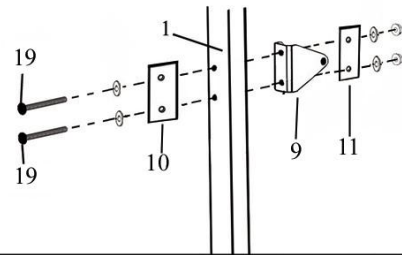
② Assemble backboard (2) and ring(3) by bolt (14)



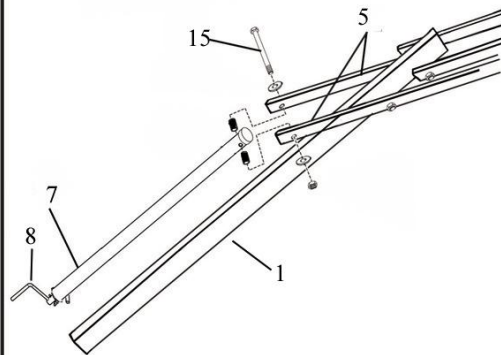
④ 1. Attach lower elevator tube (5) and upper elevator tube (6) to top main pole (1) by 2pcs bolts (20) as shown.  
2. Fix bolt (13) on the main pole below the lower elevator tube (5) as shown, this is for holding the lower elevator tuber (5) at the lowest height.



5. Install the pole mount bracket (9) in the top of bottom main pole (1) by bolt (19) as shown.
- make sure the pole mount bracket (9) is at the back of the main pole (1) for other assembly.

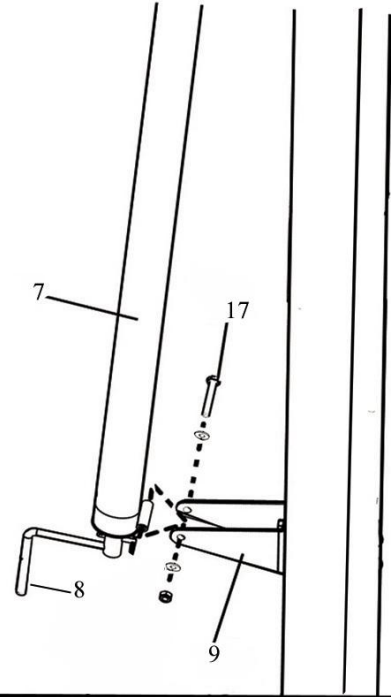


7. Install the screw-jack assembly (7) to lower elevator tube (5) by bolt (15) as shown.



9. Finally, install whole assembled basketball system to the bottom main pole by bolt(18). tighten all the nuts on bolts.

6. Attach the screw jack assembly (7) to pole mount bracket(9), using bolt(17)



8. Install net (4)

