

# S003-19E

## Basketball System Manual



Please identify parts and read this manual carefully before installation. We're looking forward to hearing from you on any warranty queries or suggestions!

# SAFETY INSTRUCTIONS

FAILURE TO FOLLOW THESE SAFETY INSTRUCTIONS MAY RESULT IN SERIOUS INJURY OR PROPERTY DAMAGE AND WILL VOID WARRANTY.

Owner must ensure that all players know and follow these rules for safe operation of the system.

Check entire box and inside all packing material for parts and additional instruction material.

Before beginning assembly, read the instructions and identify parts according to this manual.

Proper and complete assembly, use, and supervision are essential for proper operation and to reduce the risk of accident or injury.

A high probability of serious injury exists if this system is not installed, maintained, and operated properly.

Two capable adults are recommended for this operation.

Check base regularly for leakage. Slow leaks could cause system to tip over unexpectedly.

Seat the pole sections properly(if applicable). Failure to do so could allow the pole sections to separate during play and transport of the system.

Climate, corrosion, or misuse could result in system failure.

This equipment is intended for home recreational use only and not excessive competitive play.

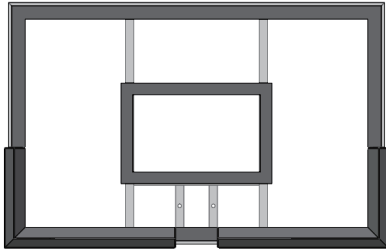
The life of your basketball pole depends on many conditions. The climate, placement of the pole, Location of the pole, exposure to corrosives such as pesticides, herbicides, or salts are all important.

If technical assistance is required, contact Customer Service.

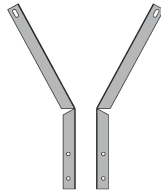
Most injuries are caused by misuse and not following instructions. Use caution when using this system.

# GET TO KNOW THE BASIC PARTS

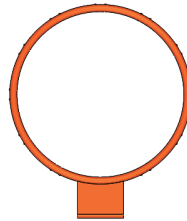
## BACKBOARD



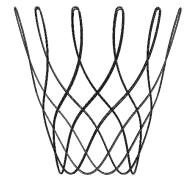
①



②



③



④

## BASE



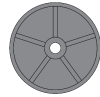
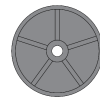
⑤



⑥



⑦



⑧

## SUPPORT POLE

W



X



Y



# GET TO KNOW THE BASIC PARTS

## SPARE PARTS



M8\*10 2pcs

⑨



M8\*16 2pcs

⑩



M8\*20 2pcs

⑪



M8\*50 2pcs

⑫



M8\*70 2pcs

⑬



M8\*120 2pcs

⑭



M16 2pcs

⑮

## NOTE

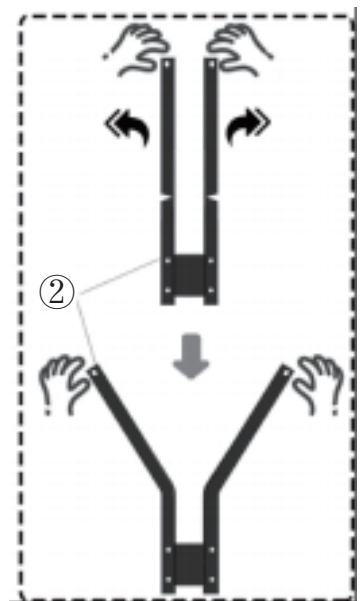
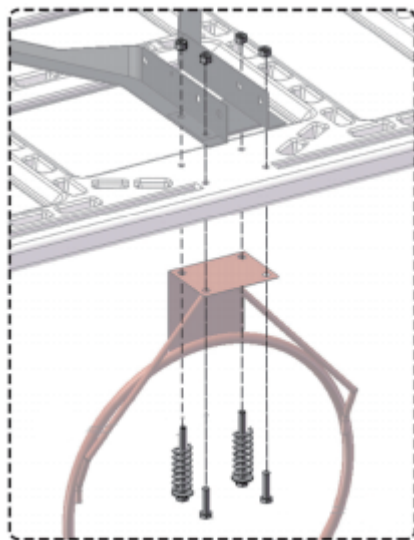
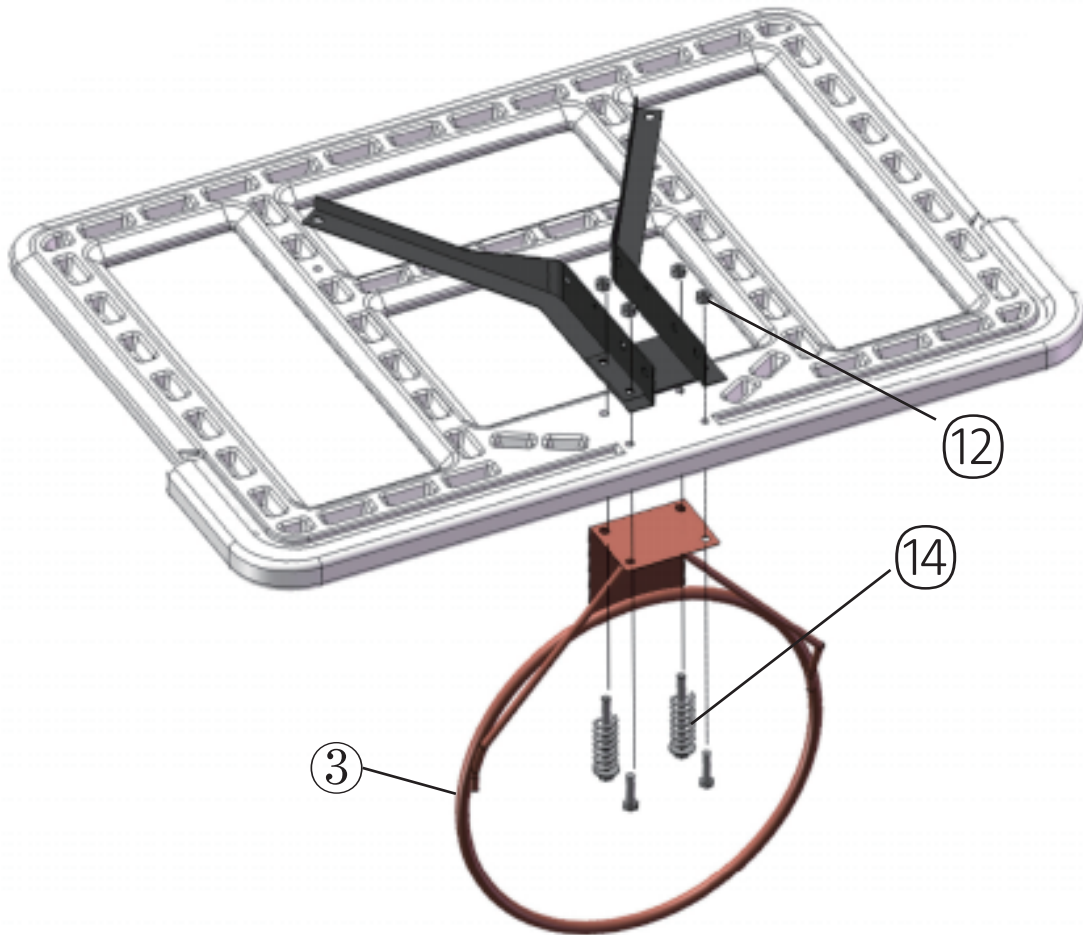
Before you start installing the basketball hoop, Please check if the number of parts is the same as the parts list in this manual, If you find some parts are missing, please contact our customer service, we will provide you with new parts for free.

## TOOLS NEEDED



# INSTALLATION STEPS

## BACKBOARD



M8\*50 2pcs

(12)

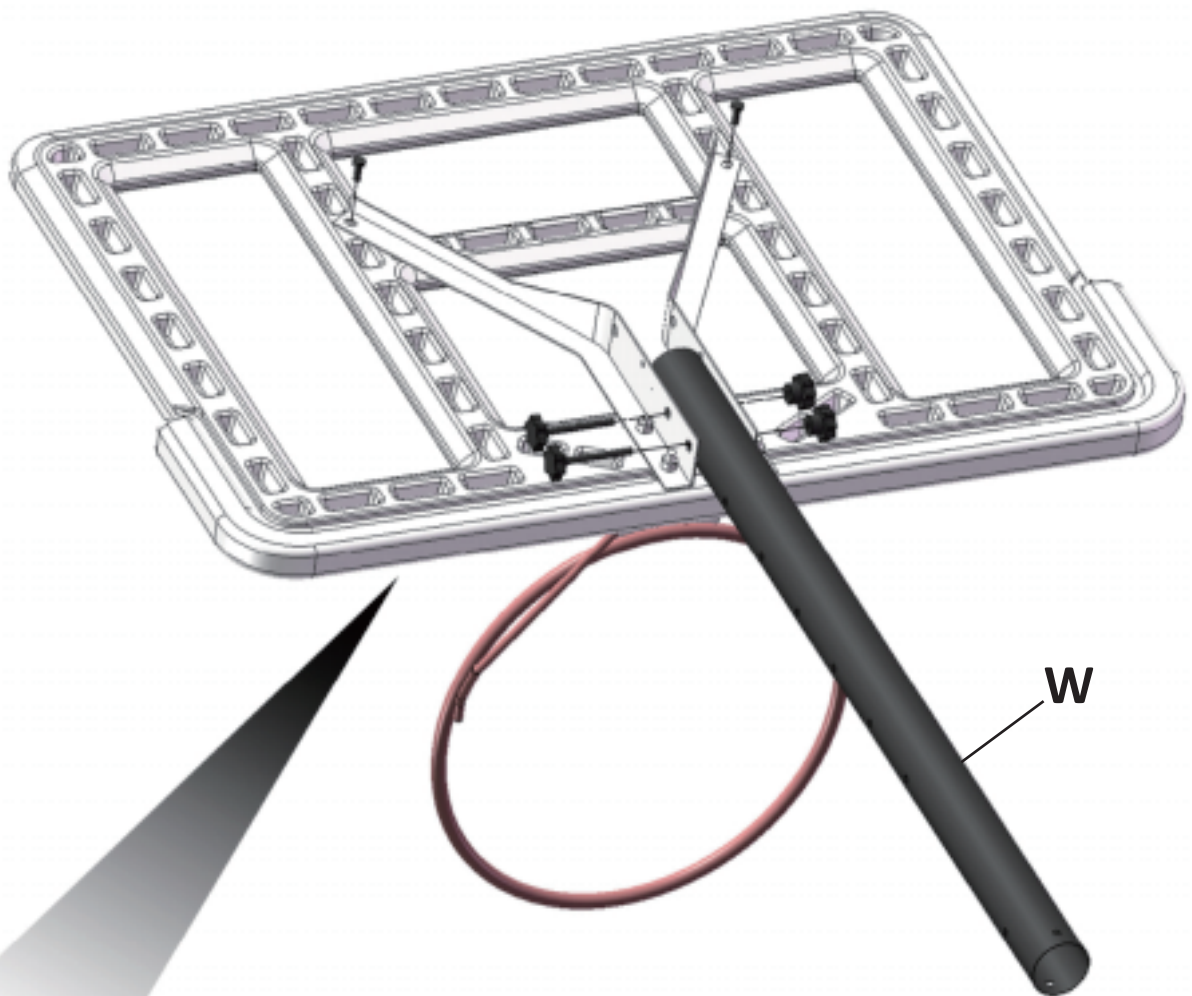


M8\*120 2pcs



(14)

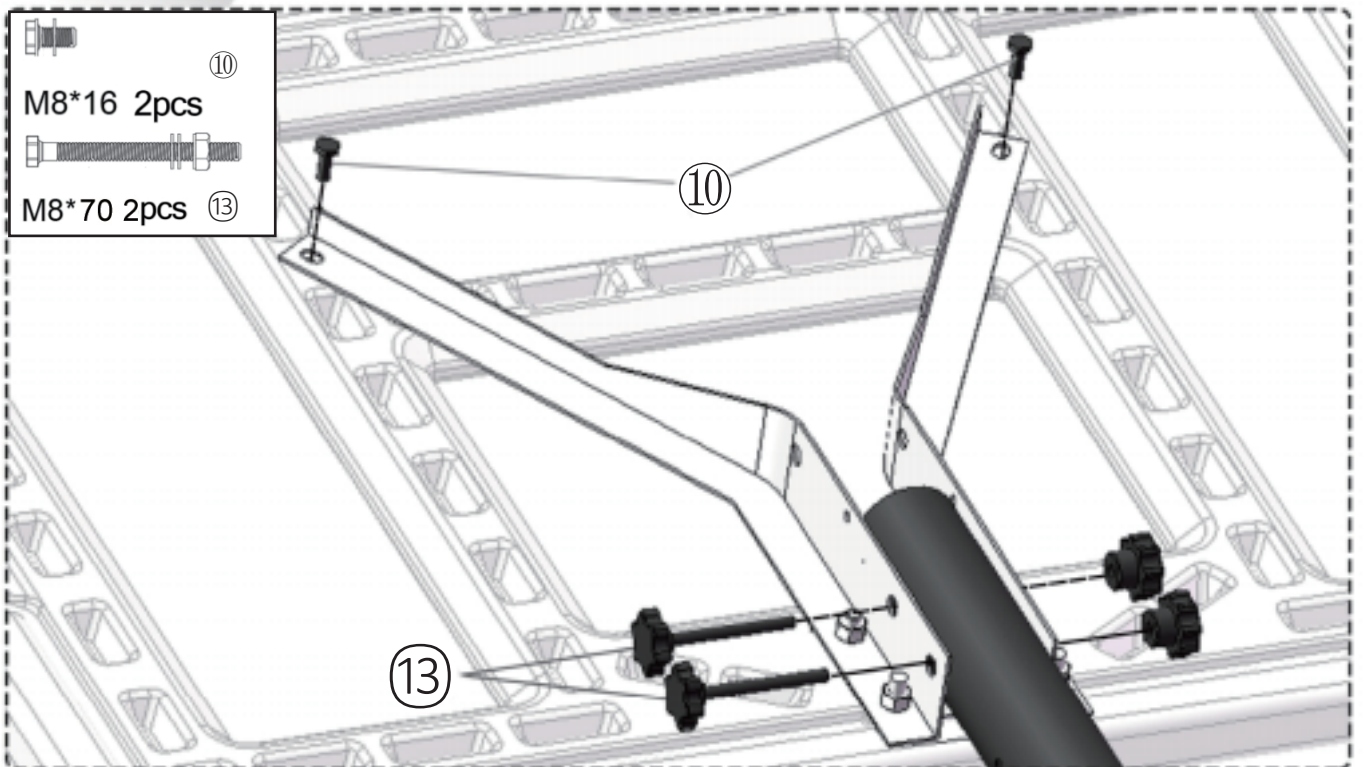
# INSTALLATION STEPS

## BACKBOARD



W

-  ⑩  
M8\*16 2pcs
-  ⑬  
M8\*70 2pcs

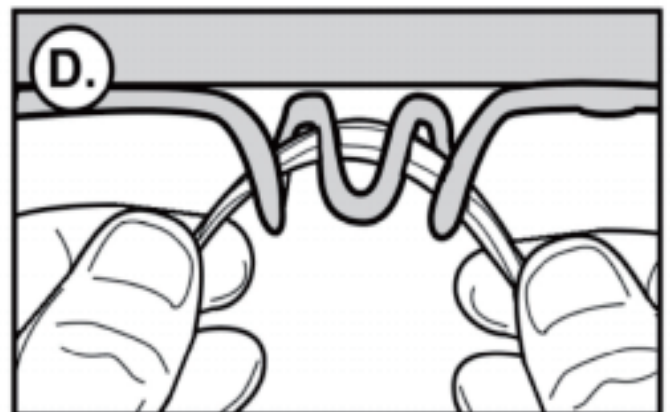
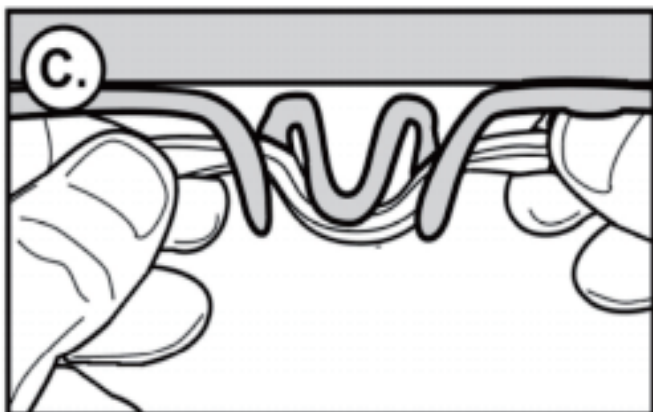
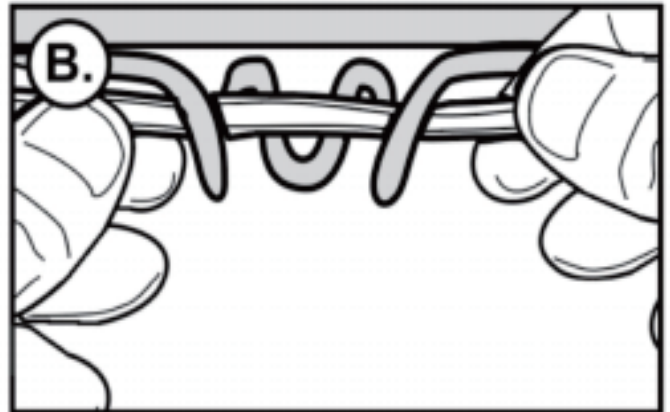
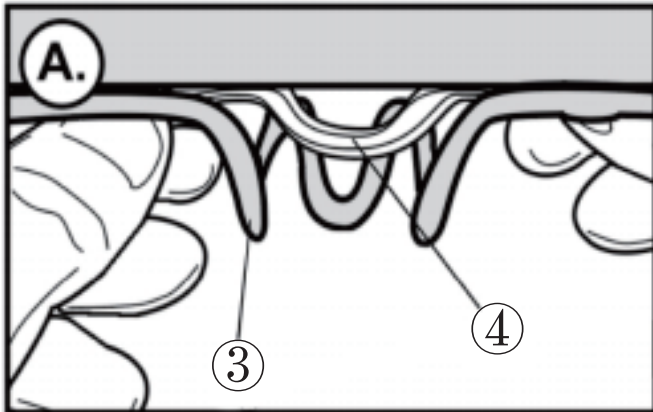
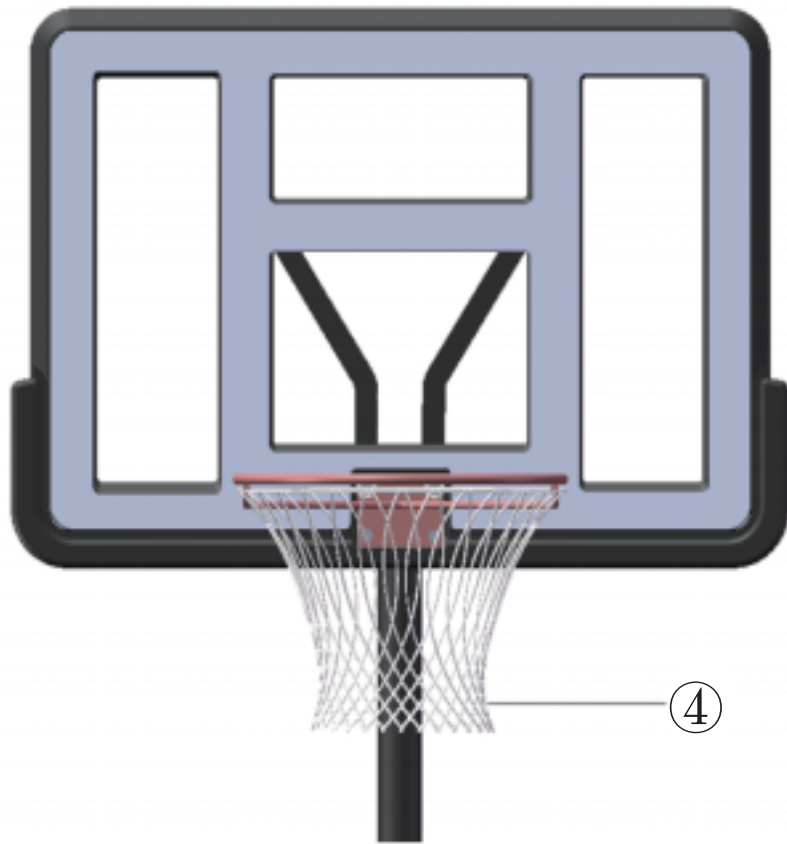


⑩

⑬

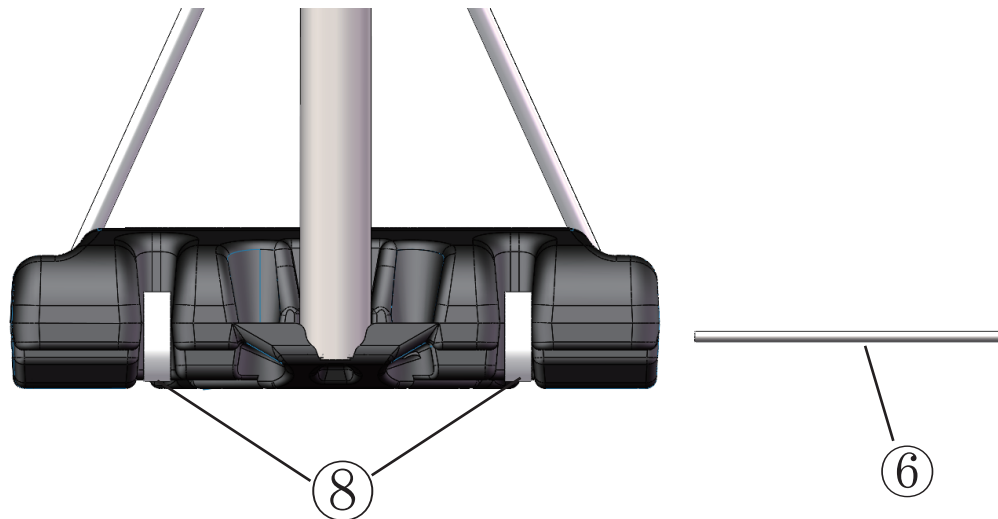
# INSTALLATION STEPS

## BACKBOARD



# INSTALLATION STEPS

## BASE

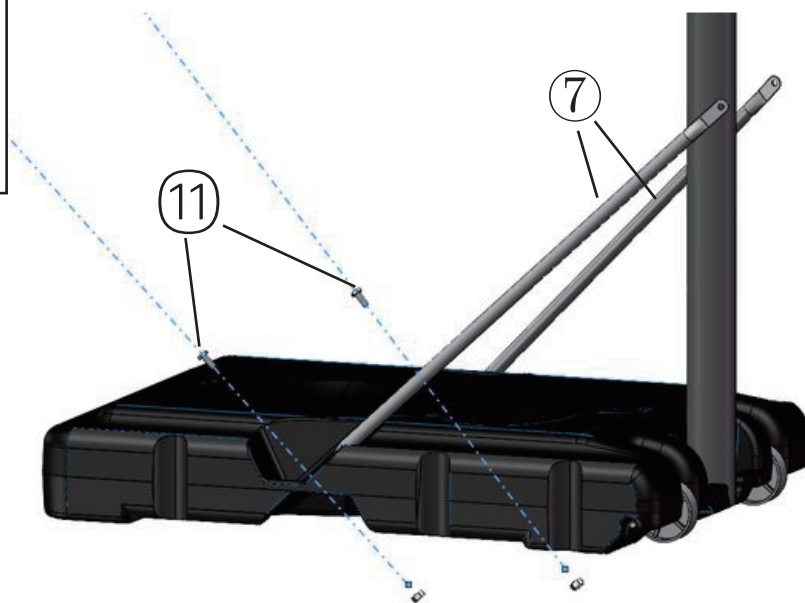


Place in order of pole Y and wheel, and then insert the long wheel pin through them.



⑪

M8\*20 2pcs



Fix one end of the long bracket(7) to the base (5) by 2pcs M8\*16mm(10). Be careful not to tighten the screws.

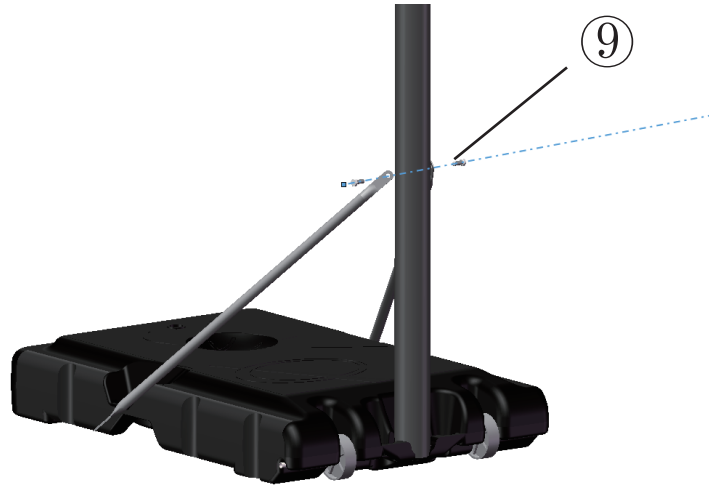
# INSTALLATION STEPS

## BASE



⑨

M8\*10 2pcs



Fix the other end of the long bracket(7) to the pole Y by 2pcs M8\*10mm(9). Then tighten all screws.



⑮

M16 2pcs

X



⑮



W

X



Connect Pole Y (8) and Pole X (7) by M16 (15).

# Lifting method:

M16 is a special screw,

When it is installed on the main pole, pull the shell outward, the center of the screw will shrink, and the main pole can be adjusted up and down in height,

When adjusted to a suitable height,

loosen the casing, the lock cylinder will pop into the hole of the main rod.



## Notice:

1. When adjusting the height, please turn the M16 to the right for a certain distance, and then slowly pull out the M16 shell.
2. When pulling out the M16 housing, you need to hold the main rod that needs to be adjusted first to prevent it from falling quickly.
3. After the height is adjusted, it is necessary to confirm that the M16 lock cylinder pops up and inserts it into the hole of the main rod, and then tighten the M16 to the left.